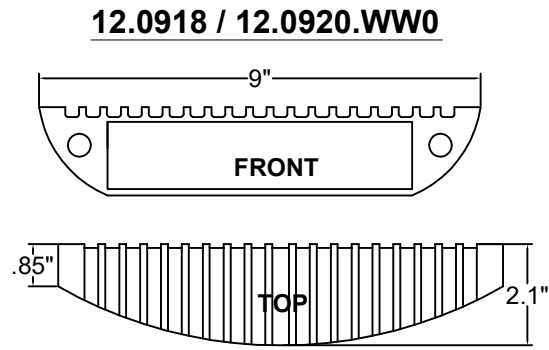
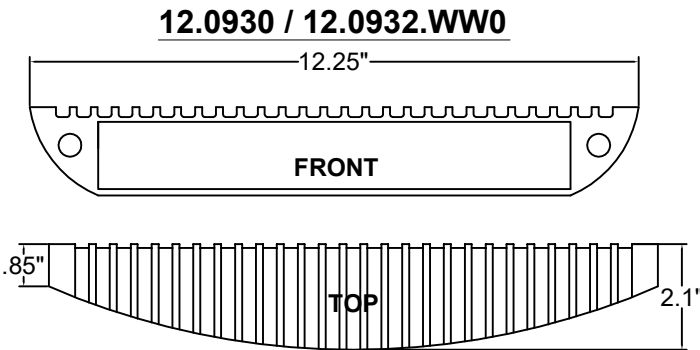




## Model No. 12.0918 / 12.0920.WW0 / 12.0930 / 12.0932.WW0 Angled LED Utility Flood Lights 10-30 VDC



### General Information

The Angled LED Utility Lights have the rugged construction and reliable performance needed for any utility or leisure vehicles.

The LED Utility Flood Light achieves high brightness while maintaining energy-efficient and low-heat operation. Impact resistant and sealed against moisture, the durable aluminum frame will endure harsh roadway environments. Mounting hardware is included for simple installation on a camper, toy hauler, RV, utility trailer or other application.

### Installation Instructions

The LED Utility Flood Light can be mounted to any flat surface using the included hardware.

Place the included gasket in the location to be mounted and use as a template to mark the places for the wire & bolt holes to be drilled.

Insert the wire through the hole while using the included hardware to mount the LED Utility Light and gasket.

### Wiring Instructions

Connect the **Red** wire to a switched 10-30 VDC power source and fuse.

Connect the **Black** wire to chassis ground.

### Specifications

Beam Angle:	90 degree	
Down Angle:	60 degree	
Current Draw:	12.0918 / 12.0920.WW0 1.4A (1400mA)	12.0930 / 12.0932.WW0 2.7A (2700mA)
Fuse at:	12.0918 / 12.0920.WW0 (3 amp)	12.0930 / 12.0932.WW0 (4 amp)
Intensity	12.0918 / 12.0920.WW0 1620 Raw Lumens	12.0930 / 12.0932.WW0 3000 Raw Lumens
LED Lifetime:	80000 Hours	
CCT:	Cool White 6500K	
Material:	Aluminum Housing, Polycarbonate Lens	
Operating Temperature:	40~+50 °C (-40~+122 °F)	
Operating Voltage Range:	10~30 VDC	



**PRODUCTS COMPANY • 804 East Hwy. 248 • Cassville, MO 65625**  
**U.S. and Canada Toll Free Numbers • Phone: 800-641-4098 FAX: 800-526-1240**  
**E-mail: sales@able2products.com WEB: www.able2products.com**