

SoundOff Signal

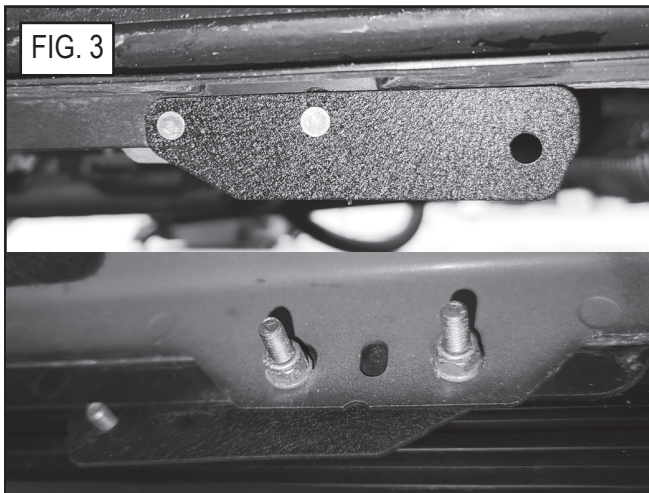
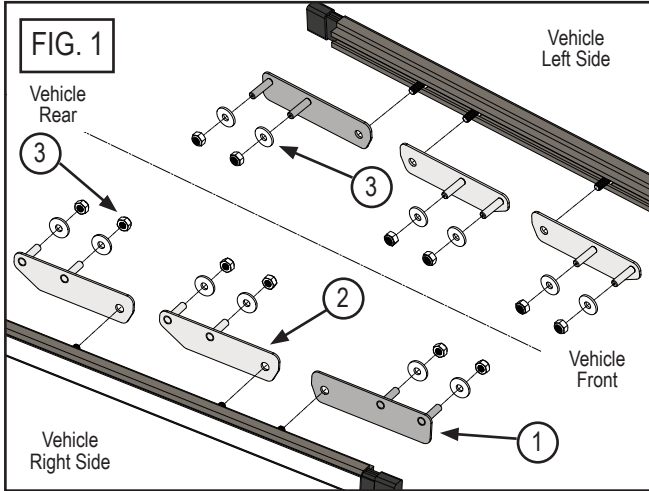
2020 - 2026 FORD EXPLORER SL® MOUNTS
PSLVBK01

NOTE: THIS KIT ONLY SUPPORTS ONE LIGHT. MUST PURCHASE 2 HARDWARE KITS TO SUPPORT BOTH SIDES OF VEHICLE.

SUPPORTED PART NUMBERS FOR THIS BRACKET KIT
ESLRL5004(x) - SL RUNNING LIGHT 4 MOD, SINGLE 50"
ESLRL6105(x) - SL RUNNING LIGHT 5 MOD, SINGLE 61"
ESLRL7306(x) - SL RUNNING LIGHT 6 MOD, SINGLE 72"

INSTALLATION:

1. Remove the brackets and hardware from the kit and establish which side (drive or passenger) you are mounting the bracket to. See **FIG. 1**. To determine the position of bracket locations depending on driver or passenger side. The grayed out bracket has different geometry.
2. Locate the pinch weld area under the vehicle, there will be two holes in the pinch weld that you will use to install the brackets provided.
3. Trim off the plastic around the pinch weld holes shown in **FIG. 2**. Trim approximately 4 inches to give the bracket enough clearance to fully mount to the metal pinch weld on the vehicle.
4. Take the metal brackets and put the two pem studs through the two holes
5. Using the nylock nuts and washers provided you may now put the washers on the PEM stud then the nylock nuts and tighten down the nuts to the bracket to 15 in-lbs. Continue this step for the other two brackets.
6. Slide 3 of the M6 bolts included in the "SL" light hardware kit, into the back of the light.
7. Line up the 3 M6 bolts with the hole on the brackets already installed. Use the lock washers and nuts included with SL light and tighten down to the 3 M6 bolts to 15 in-lbs.



CONTAINS

#	QTY*	COMPONENT
1	2	2020-2026 FORD PIU/EXPLORER BRACKET 1
2	1	2020-2026 FORD PIU/EXPLORER BRACKET 2
3	6	18-8 STAINLESS STEEL OVERSIZED WASHER
4	6	HEX NUT M6 1.0 NYLON LOCK S.S.

NOTICE:

Installers and users must comply with all applicable federal, state and local laws regarding use and installation of warning devices.

Improper use or installation may void warranty coverage.

To review our Limited Warranty Statement & Return Policy for this or any SoundOff Signal product, visit our website at soundoffsignal.com/tech-services/returns/.

If you have questions regarding this product, contact **Technical Services**, Monday - Friday, 8 a.m. to 5 p.m. ET at 800-338-7337 (press #4).

Questions or comments that do not require immediate attention may be emailed to techservices@soundoffsignal.com.

SoundOff
Signal

800-338-7337 | soundoffsignal.com