

# INSTALLATION INSTRUCTIONS

<b>Product</b> <b>7160-0545</b>	<b>Revision</b> Rev.B	<b>Form</b> INST-632
<b>LEG KIT - M2 FREIGHTLINER</b> <b>2012+</b>		<b>Printing Spec: PS-001</b>

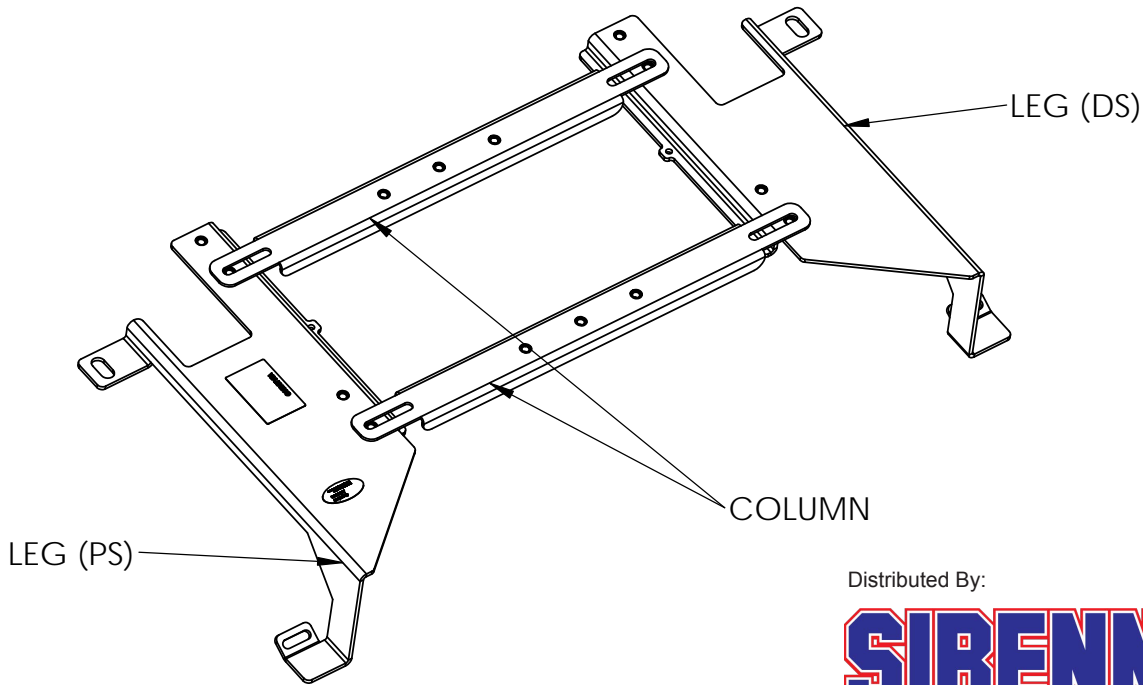


Figure 1

Distributed By:



## PARTS LIST

<u>PART NO.</u>	<u>DESCRIPTION</u>	<u>QUANTITY</u>
15207	LEG (Passenger Side)	1
15208	LEG (Driver Side)	1
15256	COLUMN	2
7120-0643	HARDWARE BAG	1
• 3130-0052	• 3/8 FLAT WASHER	• 8
• 1173-3812	• 3/8-16 X .75 HEX HEAD SCREW	• 8

## TOOLS NEEDED

M6 - ALLEN WRENCH/SOCKET  
3/8 WRENCH/SOCKET

### Product Mounting Disclaimer

Gamber-Johnson is not liable under any theory of contract or tort law for any loss, damage, personal injury, special, incidental or consequential damages for personal injury or other damage of any nature arising directly or indirectly as a result of the improper installation or use of its products in vehicle or any other application. In order to safely install and use Gamber-Johnson products full consideration of vehicle occupants, vehicle systems (i.e., the location of fuel lines, brakes lines, electrical, drive train or other systems), air-bags and other safety equipment is required. Gamber-Johnson specifically disclaims any responsibility for the improper use or installation of its products not consistent with the original vehicle manufactures specifications and recommendations, Gamber-Johnson product instruction sheets, or workmanship standards as endorsed through the Gamber-Johnson Certified Installer Program.

© Copyright 2014 Gamber-Johnson, LLC

If you need assistance or have questions, call Gamber-Johnson at 1-800-456-6868



Very Well Connected™



- You must read and follow all of these installation instructions. Failure to follow all of these installation instructions may result in serious bodily injury or death.
- Keep these installation instructions with the product and readily available in the vehicle for future reference of other users of the product.
- Additional copies of the installation instructions can be obtained from Gamber Johnson.
- If you need assistance or have any questions, call Gamber-Johnson at 1-800-456-6868.
- Do not remove warning label from product under any circumstances.
- Before installation of any equipment always check area for routing of wires / cables and if drilling is required check area where drilling above and below the drilling area.
- High speed vehicle turns may cause a motion attachment product to swivel, interfering with the driver or other equipment.
- The Vehicle Base, Upper Pole, Motion Attachment and Dock or Cradle should not be positioned in the area where the airbag will be deployed if it is activated. DO NOT position the equipment in front of an airbag. Equipment positioned in front of an airbag can cause serious injury or death if and airbag was activated, such as in an accident.
- The installer and user of this product(s) are responsible for installing and using Upper Pole, Motion Attachment and Dock or Cradle assemblies outside the airbag deployment zone. (See Product Mounting Disclaimer Below)
- If installation of the equipment requires that the equipment be placed in front of an airbag, deactivate the airbag in the vehicle so it cannot be activated in an accident. In order to secure permission for deactivating the airbag in these circumstances, contact the National Highway Traffic Safety Administration at 1-800-424-9393 to gain permission to do so. If you have any questions or need assistance, call Gamber Johnson at 1-800-456-6868.

**Product Mounting Disclaimer**

Gamber-Johnson is not liable under any theory of contract or tort law for any loss, damage, personal injury, special, incidental or consequential damages for personal injury or other damage of any nature arising directly or indirectly as a result of the improper installation or use of its products in vehicle or any other application. In order to safely install and use Gamber-Johnson products full consideration of vehicle occupants, vehicle systems (i.e., the location of fuel lines, brakes lines, electrical, drive train or other systems), air-bags and other safety equipment is required. Gamber-Johnson specifically disclaims any responsibility for the improper use or installation of its products not consistent with the original vehicle manufactures specifications and recommendations, Gamber-Johnson product instruction sheets, or workmanship standards as endorsed through the Gamber-Johnson Certified Installer Program.

© Copyright 2014 Gamber-Johnson, LLC

If you need assistance or have questions, call Gamber-Johnson at 1-800-456-6868



Very Well Connected™

**INSTALLATION INSTRUCTIONS:**

1. Remove in-bound seat bolts and loosen the out-bound seat bolts of both driver and passenger seat using M6 allen wrench.
2. Lift the seat up and slide the Legs between the seats and the floor.
3. Install the in-bound seat bolts. Do not tighten the seat bolts, this would allow some flexibility during installing the Columns.
4. Now using the hardware provided, mount the Columns to the Leg kit.
5. Use Position A or Position B to mount the Column depending on how back you want the console box/work station (See Figure 2.)
6. Tighten all seat bolts using M6 allen wrench.
7. Optional: Install 1/4-20 bolts (not included) in the Leg for additional support. This require drilling holes into the vehicle.  
Caution: Check for what is underneath the vehicle floor before drilling into the vehicle.

**NOTE:**

This Leg Kit would not work with a bench seat (60-40 seat)

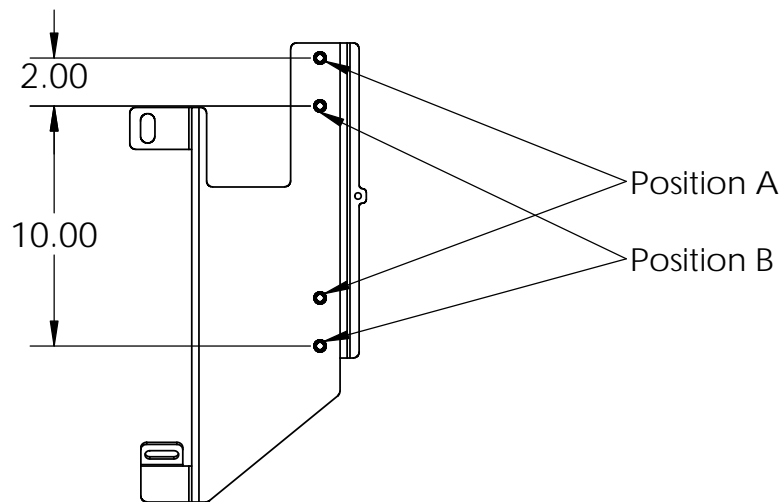


Figure 2.

**Product Mounting Disclaimer**

Gamber-Johnson is not liable under any theory of contract or tort law for any loss, damage, personal injury, special, incidental or consequential damages for personal injury or other damage of any nature arising directly or indirectly as a result of the improper installation or use of its products in vehicle or any other application. In order to safely install and use Gamber-Johnson products full consideration of vehicle occupants, vehicle systems (i.e., the location of fuel lines, brakes lines, electrical, drive train or other systems), air-bags and other safety equipment is required. Gamber-Johnson specifically disclaims any responsibility for the improper use or installation of its products not consistent with the original vehicle manufactures specifications and recommendations, Gamber-Johnson product instruction sheets, or workmanship standards as endorsed through the Gamber-Johnson Certified Installer Program.

© Copyright 2014 Gamber-Johnson, LLC

If you need assistance or have questions, call Gamber-Johnson at 1-800-456-6868