

WHELEN[®]

ENGINEERING COMPANY INC.

51 Winthrop Road
Chester, Connecticut 06412-0684
Phone: (860) 526-9504
Fax: (860) 526-4078
Internet: www.whelen.com
Sales e-mail: autosale@whelen.com
Canadian Sales e-mail: canadiansales@whelen.com
Customer Service e-mail: custserv@whelen.com

Installation Guide: SA-315 Siren Speaker Mounting Bracket 2012 Ford Explorer

DANGER! Sirens produce extremely loud emergency warning tones! Exposure to these tones without proper and adequate hearing protection, could cause ear damage and/or hearing loss! The Occupational Safety & Health Administration (www.osha.gov) provides information necessary to determine safe exposure times in Occupational Noise Exposure Section 1910.95. Until you have determined the safe exposure times for your specific application, operators and anyone else in the immediate vicinity should be required to wear an approved hearing protection device. **FAILURE TO FOLLOW THIS RECOMMENDATION COULD CAUSE HEARING LOSS!**

Safety First

This document provides all the necessary information to allow your Whelen product to be properly and safely installed. Before beginning the installation and/or operation of your new product, the installation technician and operator must read this manual completely. Important information is contained herein that could prevent serious injury or damage.

- Proper installation of this product requires the installer to have a good understanding of automotive electronics, systems and procedures.
- Failure to use specified installation parts and/or hardware will void the product warranty!
- If mounting this product requires drilling holes, the installer **MUST** be sure that no vehicle components or other vital parts could be damaged by the drilling process. Check both sides of the mounting surface before drilling begins. Also de-burr any holes and remove any metal shards or remnants. Install grommets into all wire passage holes.
- If this manual states that this product may be mounted with suction cups, magnets, tape or Velcro®, clean the mounting surface with a 50/50 mix of isopropyl alcohol and water and dry thoroughly.
- Do not install this product or route any wires in the deployment area of your air bag. Equipment mounted or located in the air bag deployment area will damage or reduce the effectiveness of the air bag, or become a projectile that could cause serious personal injury or death. Refer to your vehicle owner's manual for the air bag deployment area. The User/Installer assumes full responsibility to determine proper mounting location, based on providing ultimate safety to all passengers inside the vehicle.
- For this product to operate at optimum efficiency, a good electrical connection to chassis ground must be made. The recommended procedure requires the product ground wire to be connected directly to the **NEGATIVE (-)** battery post.
- If this product uses a remote device to activate or control this product, make sure this control is located in an area that allows both the vehicle and the control to be operated safely in any driving condition. **DO NOT ATTEMPT TO ACTIVATE OR CONTROL THIS DEVICE IN A HAZARDOUS DRIVING SITUATION.**
- It is recommended that these instructions be stored in a safe place and referred to when performing maintenance and/or reinstallation of this product.
- **FAILURE TO FOLLOW THESE SAFETY PRECAUTIONS AND INSTRUCTIONS COULD RESULT IN DAMAGE TO THE PRODUCT OR VEHICLE AND/OR SERIOUS INJURY TO YOU AND YOUR PASSENGERS!**

ACTIVATION OF THIS SIREN MAY DAMAGE UNPROTECTED EARS!

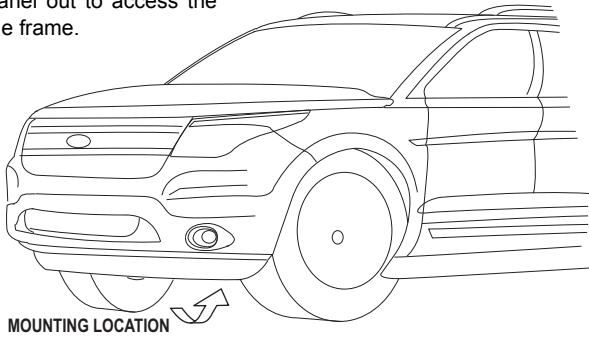
 Wear Protection!	CAUTION
	Loud siren noise can cause hearing damage and/or loss. Refer to OSHA Section 1910.95 prior to putting ANY siren into service!

For warranty information regarding this product, visit www.whelen.com/warranty

Bracket/Speaker Assembly:

The bracket will mount to the vehicle frame just in front of the front tire, on the drivers side.

Remove the bolts securing the protective plastic panel located underneath the vehicle in front of the tire. Bend the panel out to access the vehicle frame.



Mounting the SA315 to the Main Bracket:

Secure the SA315 siren speaker to the main bracket using the supplied mounting hardware. Follow the instructions in figure 1 for mounting bolt location.

The SA315 siren speaker mounting kit comes with three 1/4-20 X 1-1/2 mounting bolts. The longer bolts are necessary to go through the mounting bracket, the siren housing and into the siren driver. The long bolts ("A") will be used in 3 of the 4 mounting holes securing the siren driver to the speaker housing. Your speaker is shipped with two 1/4-20 X 1-1/4 short bolts installed. A short bolt ("B") must be used in the hole that does not go through the bracket to secure driver to housing. If you need to remove all 4 bolts at once, be sure to hold the driver securely in place (Fig. 1).

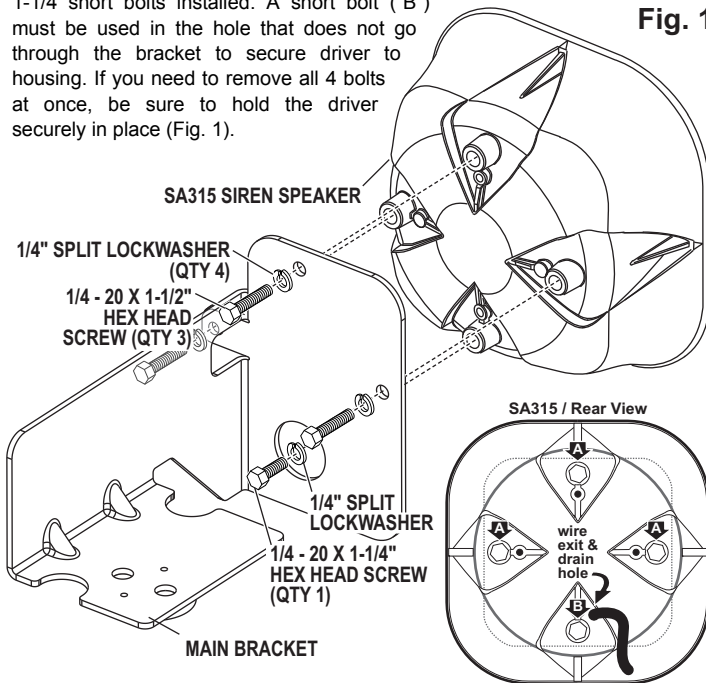
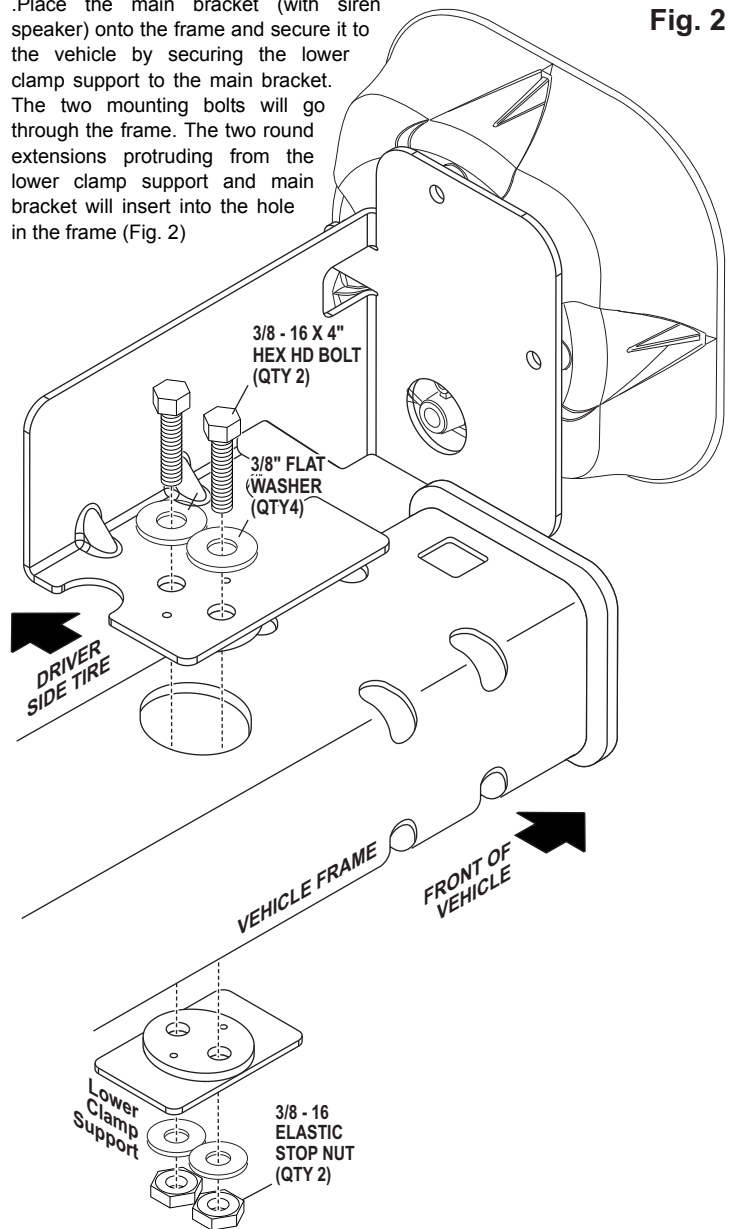


Fig. 1

Mounting to Vehicle Frame:

Place the main bracket (with siren speaker) onto the frame and secure it to the vehicle by securing the lower clamp support to the main bracket. The two mounting bolts will go through the frame. The two round extensions protruding from the lower clamp support and main bracket will insert into the hole in the frame (Fig. 2)

Fig. 2



Extend the WHITE (positive) and BLACK (negative) speaker wires to your siren amplifier and refer to the amplifiers instructions for connections. Re-secure the protective plastic panel to the vehicle and installation is complete.

IMPORTANT: For drainage purposes, the speaker must be oriented so that the wire passage hole is in the "6 o'clock" position (closest to the road). This is the drain hole for the siren. Improper mounting will result in premature driver failure and void the product warranty.