

# WHELEN<sup>®</sup>

ENGINEERING COMPANY INC.

51 Winthrop Road  
 Chester, Connecticut 06412-0684  
 Phone: (860) 526-9504  
 Fax: (860) 526-4078  
 Internet: [www.whelen.com](http://www.whelen.com)  
 Sales e-mail: [autosale@whelen.com](mailto:autosale@whelen.com)  
 Canadian Sales e-mail: [canadiansales@whelen.com](mailto:canadiansales@whelen.com)  
 Customer Service e-mail: [custserv@whelen.com](mailto:custserv@whelen.com)

## Installation Guide: SA315 Siren Speaker Bracket 2011 Ford F-350

**DANGER!** Sirens produce extremely loud emergency warning tones! Exposure to these tones without proper and adequate hearing protection, could cause ear damage and/or hearing loss! The Occupational Safety & Health Administration ([www.osha.gov](http://www.osha.gov)) provides information necessary to determine safe exposure times in Occupational Noise Exposure Section 1910.95. Until you have determined the safe exposure times for your specific application, operators and anyone else in the immediate vicinity should be required to wear an approved hearing protection device. **FAILURE TO FOLLOW THIS RECOMMENDATION COULD CAUSE HEARING LOSS!**

### Safety First

This document provides all the necessary information to allow your Whelen product to be properly and safely installed. Before beginning the installation and/or operation of your new product, the installation technician and operator must read this manual completely. Important information is contained herein that could prevent serious injury or damage.

- Proper installation of this product requires the installer to have a good understanding of automotive electronics, systems and procedures.
- Failure to use specified installation parts and/or hardware will void the product warranty!
- If mounting this product requires drilling holes, the installer **MUST** be sure that no vehicle components or other vital parts could be damaged by the drilling process. Check both sides of the mounting surface before drilling begins. Also de-burr any holes and remove any metal shards or remnants. Install grommets into all wire passage holes.
- If this manual states that this product may be mounted with suction cups, magnets, tape or Velcro®, clean the mounting surface with a 50/50 mix of isopropyl alcohol and water and dry thoroughly.
- Do not install this product or route any wires in the deployment area of your air bag. Equipment mounted or located in the air bag deployment area will damage or reduce the effectiveness of the air bag, or become a projectile that could cause serious personal injury or death. Refer to your vehicle owner's manual for the air bag deployment area. The User/Installer assumes full responsibility to determine proper mounting location, based on providing ultimate safety to all passengers inside the vehicle.
- For this product to operate at optimum efficiency, a good electrical connection to chassis ground must be made. The recommended procedure requires the product ground wire to be connected directly to the **NEGATIVE (-)** battery post.
- If this product uses a remote device to activate or control this product, make sure this control is located in an area that allows both the vehicle and the control to be operated safely in any driving condition. **DO NOT ATTEMPT TO ACTIVATE OR CONTROL THIS DEVICE IN A HAZARDOUS DRIVING SITUATION.**
- It is recommended that these instructions be stored in a safe place and referred to when performing maintenance and/or reinstallation of this product.
- **FAILURE TO FOLLOW THESE SAFETY PRECAUTIONS AND INSTRUCTIONS COULD RESULT IN DAMAGE TO THE PRODUCT OR VEHICLE AND/OR SERIOUS INJURY TO YOU AND YOUR PASSENGERS!**

**ACTIVATION OF THIS  
 SIREN MAY DAMAGE  
 UNPROTECTED EARS!**



Wear  
Protection!

#### **CAUTION**

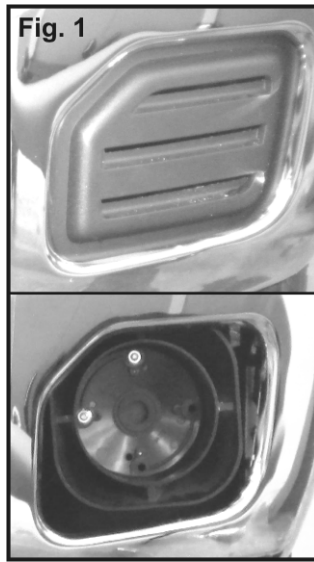
Loud siren noise can cause hearing damage and/or loss. Refer to OSHA Section 1910.95 prior to putting ANY siren into service!

**For warranty information regarding this product, visit [www.whelen.com/warranty](http://www.whelen.com/warranty)**

## Installation:

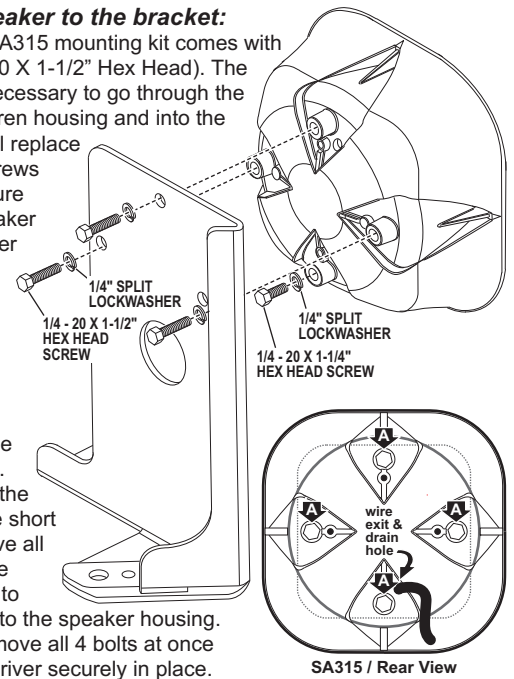
The speaker bracket mounts behind the front bumper, where the plastic filler panel for the driving light is located (Fig. 1). If a filler panel or a driving light is present, it must be removed before installing the speaker.

1. Remove the hardware holding in the plastic filler panel and remove the panel.
2. **NOTE:** Figure 2 shows the bumper with the plastic filler panel installed to show the location of the mounting holes. Figure 3 shows the bumper with the plastic filler panel removed. There is a grommet plug in the frame (Fig. 2 "A"). Remove this grommet plug. This oblong hole will be one of the speaker bracket mounting holes.
3. There are 2 more holes in the frame, toward the outside of the vehicle. The outer (larger) hole (D) will be the other mounting hole for the bracket (Fig. 3). This hole is located under a brace attached to the frame so the mounting bolt will have to be fed up from the bottom.

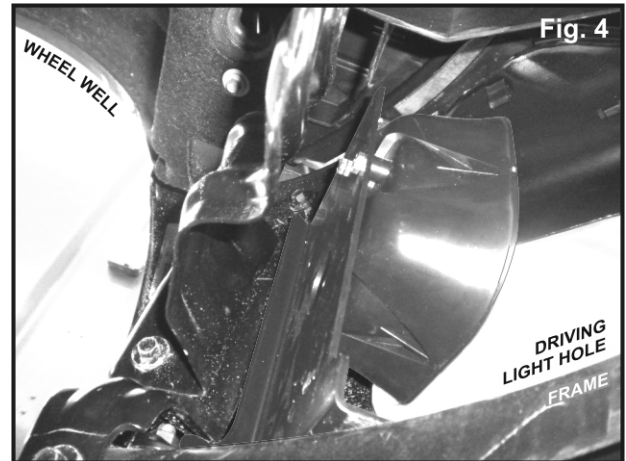
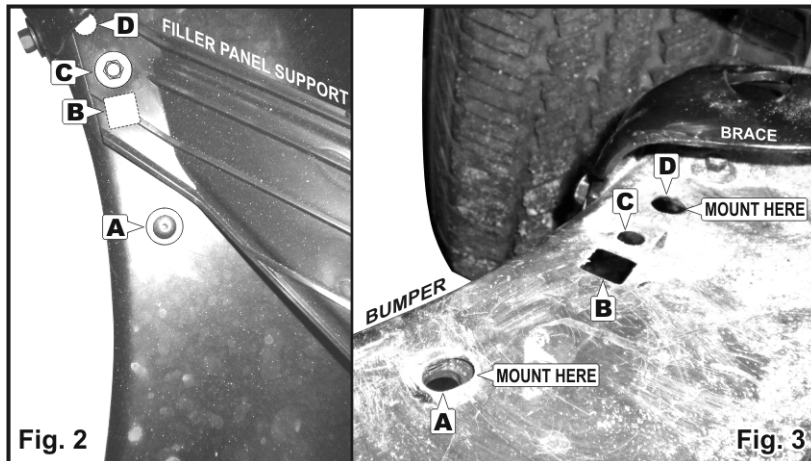


## Mounting the speaker to the bracket:

**IMPORTANT:** The SA315 mounting kit comes with 3 long screws (1/4-20 X 1-1/2" Hex Head). The longer screws are necessary to go through the mounting bracket, siren housing and into the siren driver. They will replace 3 of the 4 shorter screws ("A") which now secure the driver to the speaker housing. Your speaker is shipped with 1 or more of the short screws installed. A short screw must be used in the hole that does not go through the bracket to properly secure the driver to the housing. If you need to move the location of any of the short bolts try not to remove all of them at once since there will be nothing to hold the siren driver to the speaker housing. If you do need to remove all 4 bolts at once be sure to hold the driver securely in place.



**IMPORTANT:** For drainage purposes, the speaker must be oriented so that the wire passage/drain hole is in the "6 o'clock" position (closest to the road). Improper mounting will result in premature driver failure and void the product warranty.



4. Secure the siren speaker to the speaker bracket (See information on mounting the speaker to the bracket above).
5. Mount the speaker bracket to the vehicle (Fig. 4). Feed the mounting bolt located toward the outside of the vehicle, up from the bottom because there is a brace nearby making it difficult to install the bolt from the top (Fig. 5).
6. Tighten all mounting hardware firmly and installation is complete.
7. Extend the WHITE (positive) and BLACK (negative) speaker wires to your siren amplifier and connect as shown in the amplifiers instructions. Test the siren to confirm proper operation.

**IMPORTANT!** It is the responsibility of the installation technician to make sure that the installation and operation of this product will not interfere with or compromise the operation or efficiency of any vehicle equipment! Before returning the vehicle to active service, visually confirm the proper operation of this product, as well as all vehicle components/equipment.

