

# WHELEN<sup>®</sup>

ENGINEERING COMPANY INC.

51 Winthrop Road,  
Chester, Connecticut 06412-0684  
Phone: (860) 526-9504  
Fax: (860) 526-4078

Internet: [www.whelen.com](http://www.whelen.com)  
Sales e-mail: [autosale@whelen.com](mailto:autosale@whelen.com)  
Canadian Sales e-mail: [autocan@whelen.com](mailto:autocan@whelen.com)  
Customer Service e-mail: [custserv@whelen.com](mailto:custserv@whelen.com)

## Installation Guide: SA315 Siren Speaker Bracket 2002 Ford Excursion

This speaker bracket will mount just inside the driver side wheel well, behind the black plastic cover that runs the length of the front of the vehicle. It will use the outer bolt of this plastic cover.

**NOTE:** Before installation, read all warnings in this manual.

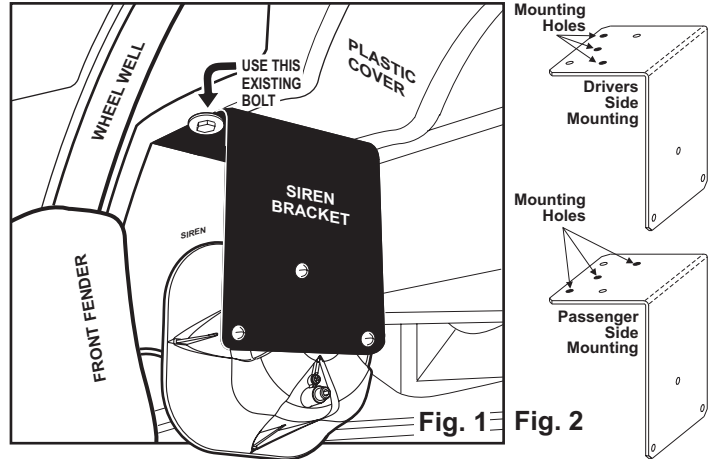
### Installation:

1. Looking into the drivers side wheel well, locate the outside bolt that holds the plastic covering on (Fig. 1) and remove this bolt.
2. Attach the bracket to the vehicle using the bolt you removed in step 1.

**NOTE:** This bracket is made to mount to either side of the vehicle. Refer to Figure 2 for the correct mounting holes for your application.

**WARNING:** You must drill the self-tapping screws in until they are almost tight and then tighten them by hand. If you drill them all the way in, they will strip the hole.

3. Using the supplied self-tapping screws and a drill with the appropriate size socket, secure the bracket to the vehicle. Using the bracket as a guide, drill the self tapping screws into the mounting area through the holes in the bracket (see warning).
4. Mount the siren to the bracket using the supplied mounting hardware (see next page).
5. Extend the WHITE (positive) and BLACK (negative) speaker wires to your amplifier and connect as shown in your amplifiers manual.



©2007 Whelen Engineering Company Inc.  
Form No.14122A (050708)

**For warranty information regarding this product, visit [www.whelen.com/warranty](http://www.whelen.com/warranty)**

# WHELEN<sup>®</sup>

ENGINEERING COMPANY INC.

51 Winthrop Road,  
Chester, Connecticut 06412-0684  
Phone: (860) 526-9504  
Fax: (860) 526-4078

Internet: [www.whelen.com](http://www.whelen.com)  
Sales e-mail: [autosale@whelen.com](mailto:autosale@whelen.com)  
Canadian Sales e-mail: [autocan@whelen.com](mailto:autocan@whelen.com)  
Customer Service e-mail: [custserv@whelen.com](mailto:custserv@whelen.com)

## Installation Guide: SA315 Siren Speaker Bracket 2002 Ford Excursion

This speaker bracket will mount just inside the driver side wheel well, behind the black plastic cover that runs the length of the front of the vehicle. It will use the outer bolt of this plastic cover.

**NOTE:** Before installation, read all warnings in this manual.

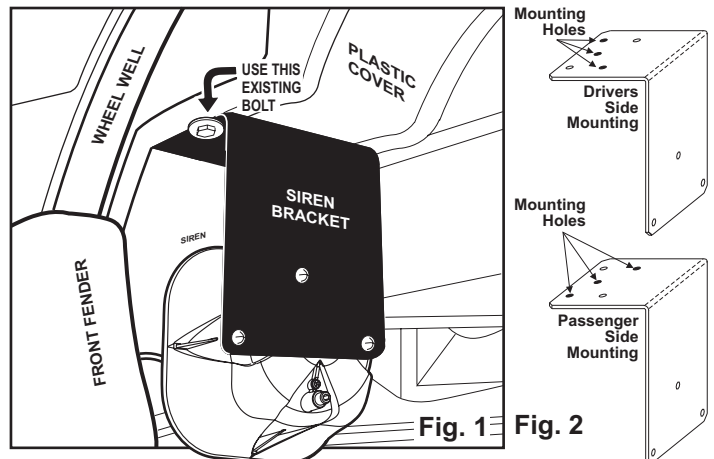
### Installation:

1. Looking into the drivers side wheel well, locate the outside bolt that holds the plastic covering on (Fig. 1) and remove this bolt.
2. Attach the bracket to the vehicle using the bolt you removed in step 1.

**NOTE:** This bracket is made to mount to either side of the vehicle. Refer to Figure 2 for the correct mounting holes for your application.

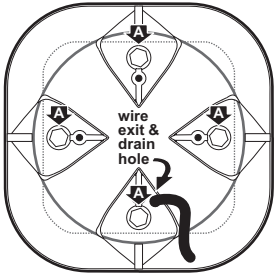
**WARNING:** You must drill the self-tapping screws in until they are almost tight and then tighten them by hand. If you drill them all the way in, they will strip the hole.

3. Using the supplied self-tapping screws and a drill with the appropriate size socket, secure the bracket to the vehicle. Using the bracket as a guide, drill the self tapping screws into the mounting area through the holes in the bracket (see warning).
4. Mount the siren to the bracket using the supplied mounting hardware (see next page).
5. Extend the WHITE (positive) and BLACK (negative) speaker wires to your amplifier and connect as shown in your amplifiers manual.



©2007 Whelen Engineering Company Inc.  
Form No.14122A (050708)

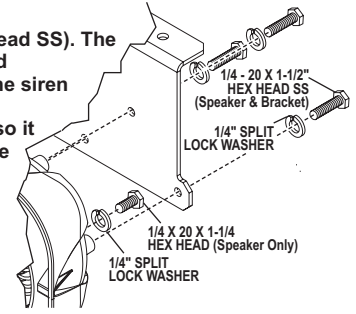
**For warranty information regarding this product, visit [www.whelen.com/warranty](http://www.whelen.com/warranty)**



SA315 / Rear View

The SA315 siren speaker mounting kit comes with 3 long bolts (1/4-20 X 1-1/2" Hex Head SS). The longer bolts are necessary to go through the mounting bracket, the siren housing and into the siren driver. They will replace 3 of the 4 shorter bolts ("A") that now secure the siren driver to the speaker housing. Your speaker is shipped with 2 of the shorter bolts installed. A short bolt must be used in the hole that does not go through the bracket so it will properly secure the driver to the housing. If you need to remove all 4 bolts at once be sure to hold the driver securely in place.

**IMPORTANT:** For drainage purposes, the speaker must be oriented so that the wire passage hole is in the "6 o'clock" position (closest to the road). This is also the drain hole for the siren. Improper mounting will result in premature driver failure and void the product warranty.

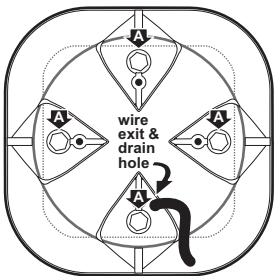


<b>ACTIVATION OF THIS SIREN MAY DAMAGE UNPROTECTED EARS!</b>	
	<b>CAUTION</b> Loud siren noise can cause hearing damage and/or loss. Refer to OSHA Section 1910.95 prior to putting ANY siren into service!

**IMPORTANT!** Before returning the vehicle to active service, visually confirm the proper operation of this product, as well as all vehicle components/equipment.

**IMPORTANT!** It is the responsibility of the installation technician to make sure that the installation and operation of this product will not interfere with or compromise the operation or efficiency of any vehicle equipment! Before returning the vehicle to active service, visually confirm the proper operation of this product, as well as all vehicle components and equipment.

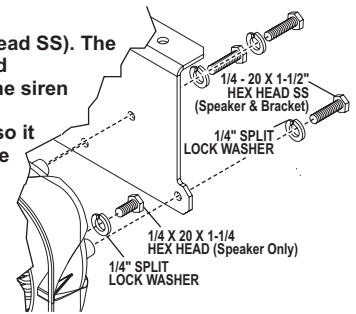
**DANGER!** Sirens produces extremely loud emergency warning tones! Exposure to these tones without proper and adequate hearing protection, could cause ear damage and/or hearing loss! The Occupational Safety & Health Administration ([www.osha.gov](http://www.osha.gov)) provides information necessary to determine safe exposure times in Occupational Noise Exposure Section 1910.95. Until you have determined the safe exposure times for your specific application, operators and anyone else in the immediate vicinity should be required to wear an approved hearing protection device. **FAILURE TO FOLLOW THIS RECOMMENDATION COULD CAUSE HEARING LOSS!**



SA315 / Rear View

The SA315 siren speaker mounting kit comes with 3 long bolts (1/4-20 X 1-1/2" Hex Head SS). The longer bolts are necessary to go through the mounting bracket, the siren housing and into the siren driver. They will replace 3 of the 4 shorter bolts ("A") that now secure the siren driver to the speaker housing. Your speaker is shipped with 2 of the shorter bolts installed. A short bolt must be used in the hole that does not go through the bracket so it will properly secure the driver to the housing. If you need to remove all 4 bolts at once be sure to hold the driver securely in place.

**IMPORTANT:** For drainage purposes, the speaker must be oriented so that the wire passage hole is in the "6 o'clock" position (closest to the road). This is also the drain hole for the siren. Improper mounting will result in premature driver failure and void the product warranty.



<b>ACTIVATION OF THIS SIREN MAY DAMAGE UNPROTECTED EARS!</b>	
	<b>CAUTION</b> Loud siren noise can cause hearing damage and/or loss. Refer to OSHA Section 1910.95 prior to putting ANY siren into service!

**IMPORTANT!** Before returning the vehicle to active service, visually confirm the proper operation of this product, as well as all vehicle components/equipment.

**IMPORTANT!** It is the responsibility of the installation technician to make sure that the installation and operation of this product will not interfere with or compromise the operation or efficiency of any vehicle equipment! Before returning the vehicle to active service, visually confirm the proper operation of this product, as well as all vehicle components and equipment.

**DANGER!** Sirens produces extremely loud emergency warning tones! Exposure to these tones without proper and adequate hearing protection, could cause ear damage and/or hearing loss! The Occupational Safety & Health Administration ([www.osha.gov](http://www.osha.gov)) provides information necessary to determine safe exposure times in Occupational Noise Exposure Section 1910.95. Until you have determined the safe exposure times for your specific application, operators and anyone else in the immediate vicinity should be required to wear an approved hearing protection device. **FAILURE TO FOLLOW THIS RECOMMENDATION COULD CAUSE HEARING LOSS!**