

Projector™ Series SA315P Speaker

SUPER COMPACT, MULTI-PORT 100 WATT RMS SPEAKER

**SIRENS
SPEAKERS
SWITCHES**

Smaller size speaker with full size performance will mount in more locations than ever before.

The SA315P installs easily and delivers traffic clearing warning where it's needed: down and in front of your vehicle.

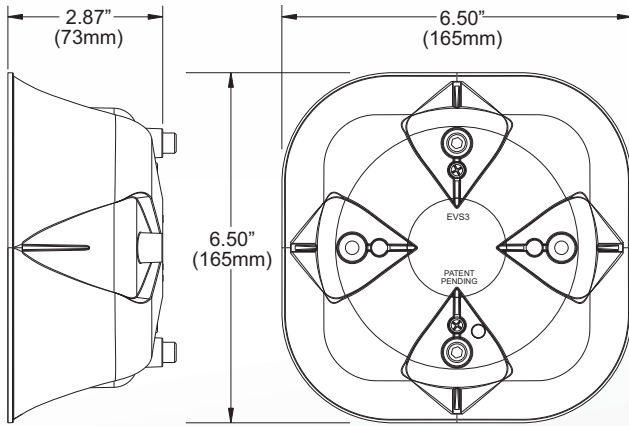


FEATURES

- All weather nylon composite Black housing with front loaded, powder coated speaker driver
- Superior performance in a very small profile package. Only 2-7/8" (73mm) in depth
- Exceeds California Title XIII, Class A and S.A.E. J1849 requirements with most 100 watt sirens (120-123dB @10')
- Optimum performance assured when used with all Whelen high-power electronic sirens
- Easily installs to the radiator cross member in just a few minutes
- Truer tone quality and wider/higher frequency response than speakers of comparable size
- Universal mounting bracket, plus vehicle specific brackets available
- Compact size is ideal for concealed installations in any type vehicle
- Two year standard Whelen warranty

WHELEN®

Projector™ Series SA315P Speaker



Weight: 4 lbs. 11 oz. (2.12kg)

MODELS

SA315P Speaker, Nylon Composite

UNIVERSAL MOUNTING

SAK1 Universal Mount Bracket

SAK9 Heavy-Duty Universal/Swivel Bail Type Mounting Bracket

VEHICLE SPECIFIC MOUNTING

SAK1 Ford Explorer, 2002-2010, Chevy Suburban/Tahoe, 2004-2006

SAK5 Chevy Suburban/Tahoe, 2000-2003, Chevrolet Avalanche, 2002-2009, GMC Envoy, 2004-2011

SAK11 .. Chevy Trail Blazer, 2002-2011

SAK17 .. Ford Crown Victoria, 2003-2011

SAK20 .. Ford Escape, 2011-2012

SAK23 .. Ford Expedition, 2007-2014

SAK24 .. Chevy Suburban, 2007-2014, & Chevy Tahoe/Silverado, 2007-2014

SAK25 .. Chevy Express Van, 2006-2011

SAK32 .. Ford E350/E450, 2008-2013, Driver or Passenger Side

SAK34 .. Chevy Impala, 2006-2011, Howler Compatible, Replaces SAK21

SAK37 .. Dodge Charger, 2011-2013

SAK38 .. Ford Fusion, 2010-2012

SAK39 .. Ford Taurus, 2010-2015 and Police Interceptor, 2013-2015

SAK40 .. Ford F250/F350, 2011-2014, Passenger Side

SAK41 .. Ford F250/F350, 2011-2014, Driver Side

SAK42 .. Dodge 4500, 2011-2013, Passenger Side

SAK43 .. Dodge 4500, 2011-2013, Driver Side

SAK44 .. Ford Explorer, 2011-2014 & 2013-2014 Ford Police Interceptor Utility

SAK45 .. Chevy Caprice, 2011-2013

SAK46 .. Chevy Impala, 2012

SAK47 .. Dodge Ram 1500, 2012-2013, Passenger Side

SAK48 .. Dodge Ram 1500, 2012-2013, Driver Side

SAK49 .. Chevy Silverado 1500 / GMC 1500, 2014, Passenger Side

SAK50 .. Chevy Silverado 1500 / GMC 1500, 2014, Driver Side

SAK51 .. Ford Explorer, 2014 & Ford Police Interceptor Utility, 2013-2014, Passenger Side Lower Grille

SAK52 .. Ford Explorer, 2014 & Ford Police Interceptor Utility, 2013-2014, Driver Side Lower Grille

SAK53 .. Ford Fusion, 2014

SAK54 .. Dodge Durango, 2013-2014

SAK55 .. Chevy Suburban/Tahoe, 2015, Passenger Side

SAK56 .. Chevy Suburban/Tahoe, 2015, Driver Side



Whelen Engineering reserves the right to upgrade and improve products without notice.
© 2014 Whelen Engineering Company, Inc. Printed in U.S.A.
Code No. 12049J - 07/24/14



WHELEN®

ENGINEERING COMPANY, INC.

51 Winthrop Road
Chester, Connecticut 06412-0684
(860) 526-9504 • Fax: (860) 526-4078
www.whelen.com